

# LJ8900W LIGHT-DUTY COMMERCIAL JACKSHAFT DOOR OPERATOR FOR SECTIONAL DOORS



SECTION 08 71 13

## KEY FEATURES

<b>STANDARD APPLICATION</b>	Ideal for applications using smaller, lighter commercial sectional doors with light-duty cycle requirements
<b>RATED DUTY CYCLE</b>	Light-duty: Up to 10 cycles/hour; fewer than 25 cycles per day
<b>OPERATOR SPEED</b>	7.5-8.5 Inches per second
<b>LIMIT SETTINGS</b>	Electronic
<b>EMERGENCY DISCONNECT FOR MANUAL OPERATION</b>	Emergency release rope with handle
<b>EMERGENCY DISCONNECT WITH AUTO-RECONNECT</b>	To reconnect, pull down on the handle again to re-engage
<b>PROGRAMMING</b>	Tactile buttons
<b>CIRCUIT BOARD</b>	Solid-state circuit board
<b>MOTOR OPERATOR WALL CONTROL</b>	Single-button control station
<b>PUSH BUTTON STATION</b>	Single-push button control

## SPECIFICATIONS

<b>RADIO RECEIVER</b>	LiftMaster Security+2.0 and backwards compatible to Security+ 315 or 390 MHz residential garage openers
<b>VOLTAGE CONNECTIONS</b>	120VAC
<b>DRIVE REDUCTION</b>	Heavy-duty 12VDC
<b>WARRANTY</b>	2 years

## INSTALLATION FEATURES

<b>UNIVERSAL MOUNTING</b>	Yes, can be mounted to either the right or left side of the door without the need for any special accommodations
<b>MAXIMUM DOOR HEIGHT</b>	14 feet
<b>MAXIMUM DOOR WIDTH</b>	18 feet
<b>MAXIMUM ALLOWABLE SQUARE FOOTAGE</b>	180 square feet
<b>INTERNET CONNECTIVITY</b>	myQ® Technology enables remote monitoring and control of the commercial door via a smartphone, tablet, or computer***

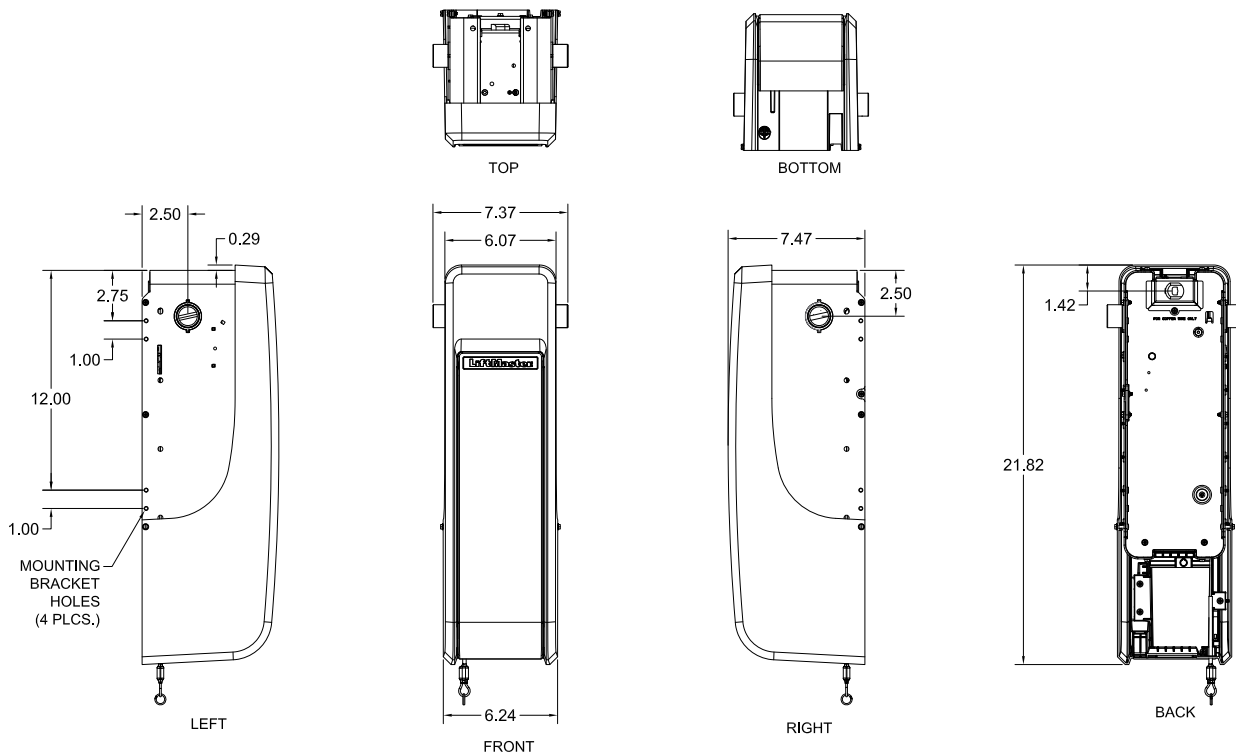
This commercial door operator must feature constant pressure to close or be equipped with an external monitored entrapment protection device. Use only LiftMaster monitored entrapment protection devices itemized on the accessory page of the operators installation manual to meet UL 325 requirements.

\*\*\*Operator directly connects via built-in wi-fi, myQ app required.

# LJ8900W LIGHT-DUTY COMMERCIAL JACKSHAFT DOOR OPERATOR FOR SECTIONAL DOORS

SECTION 08 71 13

## DIMENSIONS



## CAPACITY

MAXIMUM DOOR AREA (SQ. FT.)			
	MAX. HEIGHT	MAX. WIDTH	MAX. SQ FT.
SECTIONAL	14 FT. OR	18 FT.	180 FT. TOTAL
	HEADROOM CLEARANCE REQUIRED: 3 IN. FROM CENTER OF TORSION BAR MAX. DOOR WEIGHT: 850 LBS.		

Recommended duty cycle: 10 cycles per hour; fewer than 25 cycles/day.